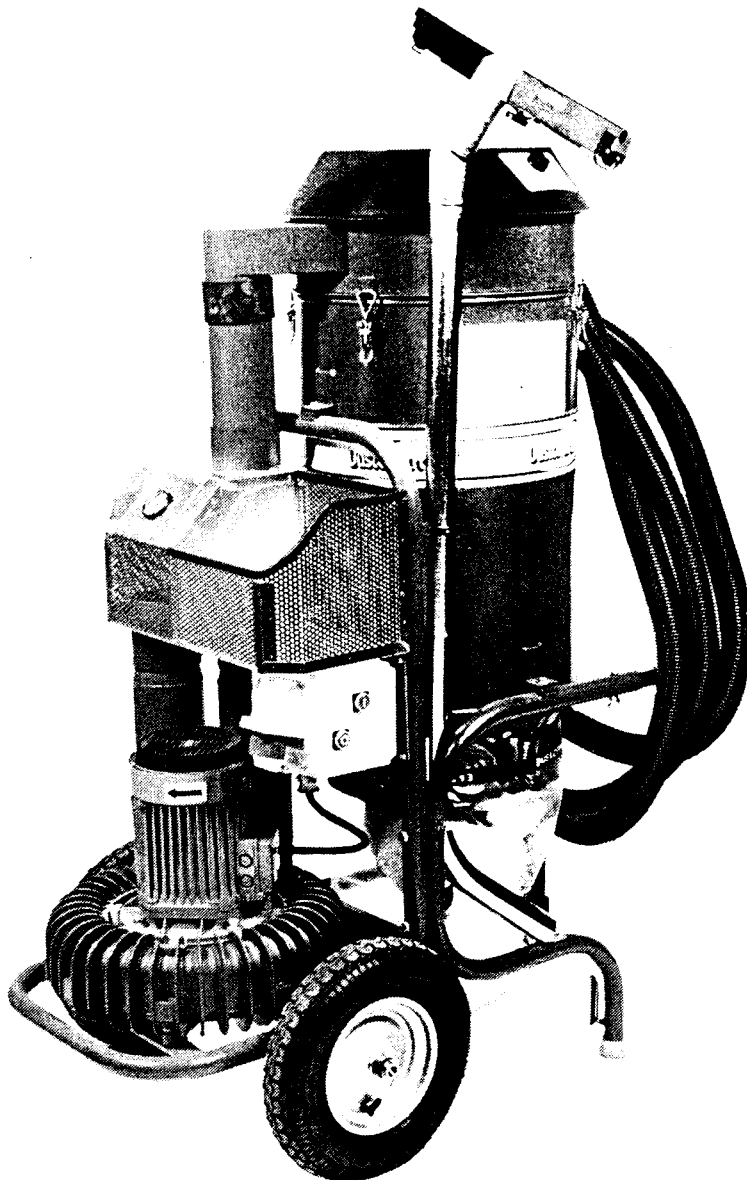


Dustcontrol

DC 5500 5 kW (5,5kW, 7,5kW)



**INSTRUKTION
USER INSTRUCTION
BETRIEBSANLEITUNG**

DC 5500 5 kW, 5.5 kW, 7.5 kW USER INSTRUCTION

Manufactured by
Dustcontrol Sweden

Sold by:

TECHNICAL DATA

ACCESSORIES

OPERATION

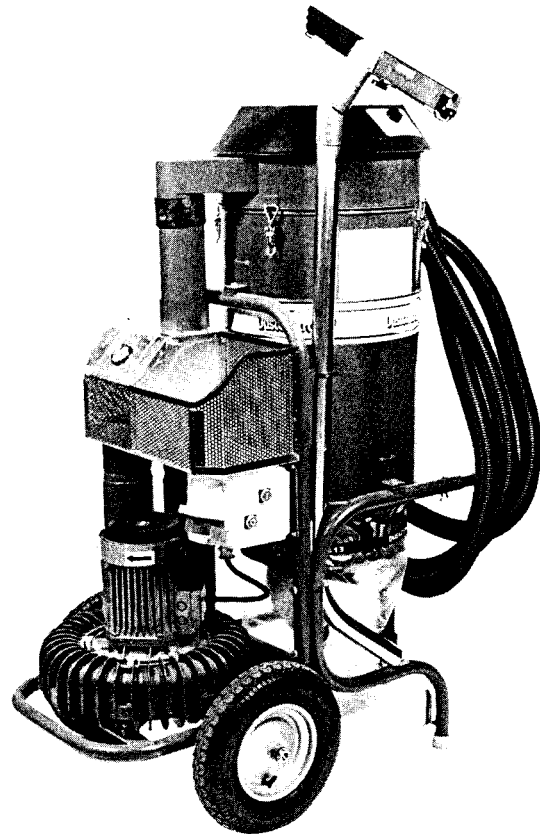
SERVICE

SAFETY CONSIDERATIONS

TROUBLE SHOOTING

WARRANTY

SPARE PARTS



The DC 5500 is a machine with large suction capacity and robust construction while still being compact and easy to maneuver. It is ideal for spot extraction on all types of hand-held tools and for industrial cleaning (50mm system). With smaller suction points, several can be connected at one time.

The filter cleaning with reverse pulse gives the fine filter extra long life and constant capacity. As well the filter is suitable for a wide range of dusts than earlier models. The shaker top on the older model DC 5500 can be changed out for the new pulse cleaning top.

Dustcontrol reserves the right to change specifications without notice and is under no obligation to alter previously delivered products. Dustcontrol is not responsible for errors or omissions in this catalogue.

TECHNICAL DATA

HxWxL (mm)	1490x760x1000
Weight	ca 125 kg
Inlet	Ø 76 mm
Hose length (Ø50)	5-30 m
Flow at open inlet	ca 500 m ³ /h
Power consumption	5kW, 5.5kW, 7.5kW
Filter area, fine filter	5 m ²
Degree of separation, fine filter (DIN 24184/3)	99.89 %
Filter area, microfilter	2.5 m ²
Degree of separation, microfilter (DOP)	>99.97 %
Collecting sack, 50l (mm)	700x850
Sound level	<75 dB(A)

ACCESSORIES

DESCRIPTION	PART NO
Plastic sacks, standard	4614
Fine filter (3pcs/cyclone)	408801
Microfilter	4422

OPERATION

Connect the machine to a suitable power source according to the specification plate on the machine. If the electrical cord on the machine becomes damaged it should be replaced.

The filter should be cleaned 1-2 times per day with continuous running or if the machine is equipped with a filter monitor, when this is in the red area.

For filter cleaning:

1. Start the machine.
2. Close the shutter valve on the machines inlet.
3. Rotate the knob on the top of the machine to pulse to activate the cleaning mechanism.
4. Let the machine pulse for two minutes.
5. Open the shutter valve.
6. If the filter condition meter reads green work can continue, if in the red, pulse clean again. If after several repetitions, the filter condition still shows red the fine filter 408801 must be changed.

The plastic sack should be changed only after the filter has been cleaned. The sack should be changed when the dust level is about 5cm under the foot valve. The plastic sack should be sealed after removal from the machine.

Use only original plastic sacks.

SERVICE

With cleaning and maintenance on the machine, the power cable should be disconnected from the supply.

The fine filter 408801 should be changed at least once per year. Use only original spare parts. If the machine is used with a microfilter/HEPA filter, this should be changed every 300 running hours, article number 4422. Use breathing protection when changing the filter. Used filters should be sealed in a plastic sack and disposed of properly.

Check regularly that the electrical cable is not damaged.

The DC 5500 should be performance tested at least once per year because it may be used with hazardous materials. Worn parts must be replaced.

Never compromise the function of the DC 5500, use only original spare parts.

The turbopump is maintenance free.

SAFETY CONSIDERATIONS

- Never let the suction come into contact with parts of the body. Because the machine generates a high negative pressure, injury may result.
- Do not repair the electrical components yourself, get somebody qualified. Faults may cause injury.
- Check the electrical cable regularly for faults.
- Always follow the regulations pertinent to the material that you are working with ie: asbestos.

TROUBLE SHOOTING

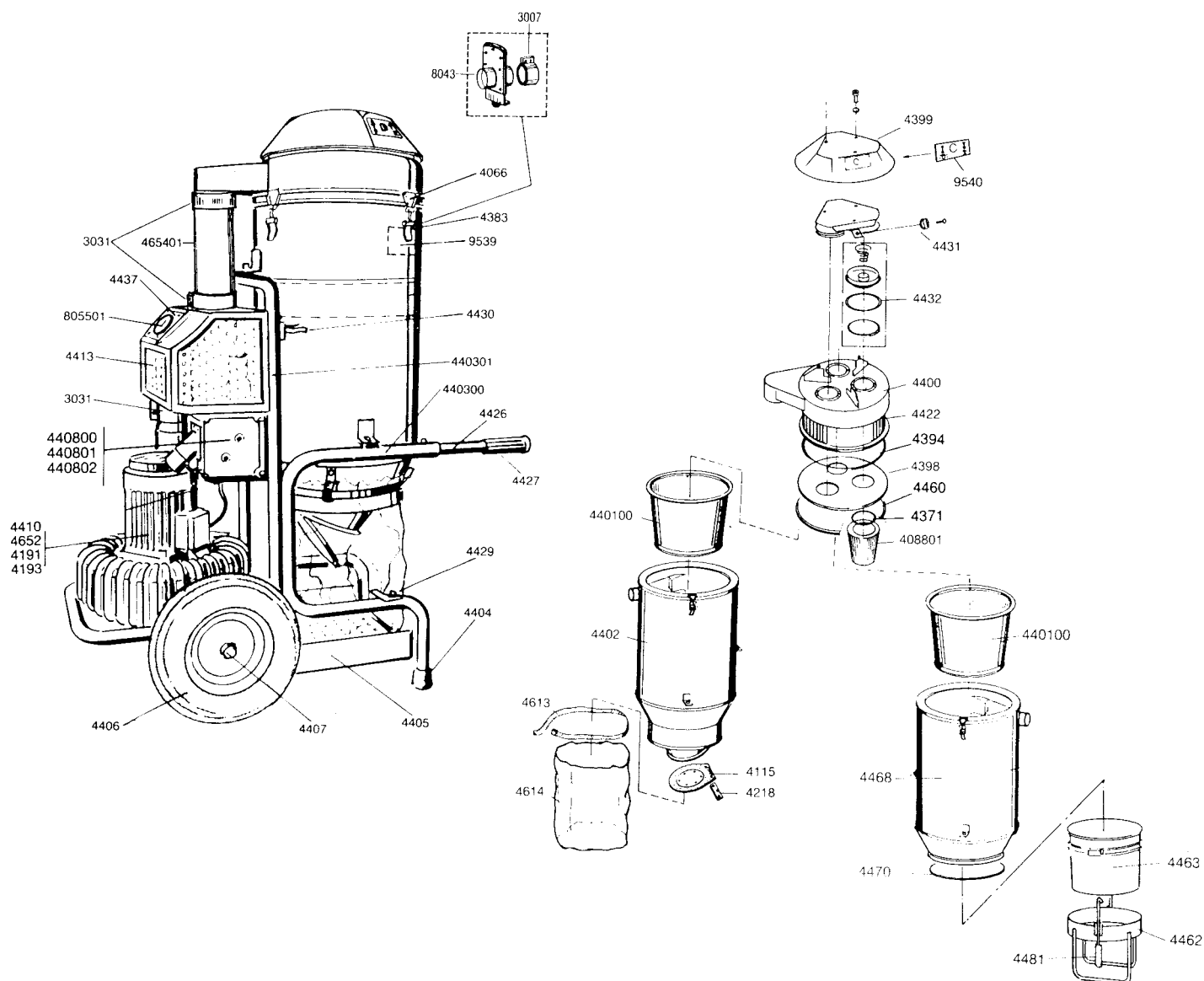
PROBLEM	FAULT	SOLUTION
* Motor will not start.	* Machine not connected. * Thermal overload tripped.	* Make sure of connection. * Wait 5 minutes.
* The motor stops directly after starting.	* Incorrect fuse. * Thermal overloads not set correctly.	* Echange to correct circuit. * Electrician should adjust.
* Pump runs but no suction.	* Hose not connected. * Hose plugged. * No plastic sack on the cyclone. * Pump rotation backwards.	* Connect the hose. * Find and remove block. * Mount the correct sack. * Electrician should change phases.
* Pump runs but poor suction.	* Hole in the hose. * Plugged filter. * Hose too long or too small. * Hose is kinked. * Machine top is mounted incorrectly. * Dust is packed in the cyclone .	* Change or repair hose. * Clean or change filter. * Change the hose. * Check and free. * Adjust the mounting. * Take off the top and clean out.
* Machine blows dust.	* Filter is perforated or has come loose.	* Check the filter and change if necessary
* Abnormal sound from machine.	* Foreign matter in the pump.	* Turn off machine and order service.

WARRANTY

The warranty period for this machine is two years and covers manufacturers faults. The warranty is valid under the condition that the machine is used under normal conditions on the task for which it was designed and is maintained properly. Normal wear is not covered by this warranty.

Service performed by other than Dustcontrol or its authorized agent voids automatically the warranty. No other warranty express or implied is applicable.

SPARE PARTS DC 5500 5kW, 5.5kW, 7.5kW



Part no Description

- 3007 Joint 76
- 3031 Clamp 110
- 4066 Hoop
- 4088 Fine filter
- 4115 Cyclone rubber foot valve
- 4191 Turbo pump, 7.5 kW, 600V, 60 Hz
- 4193 Turbo pump, 7.5 kW, 220-240V, 60 Hz
- 4218 Plate
- 4371 Gasket
- 4383 Holder
- 4394 Gasket
- 4398 Filter holder
- 4399 Cover
- 4400 Top
- 440100 Guide cone
- 4402 Cyclone
- 440300 Chassis, cyclone
- 440301 Chassi, pump

Part no Description

- 4404 Rubber foot
- 4405 Plastic bag holder
- 4406 Pneumatic wheel
- 4407 Axle
- 440800 Starter 5 kW 380V
- 440801 Starter 5 kW 380V France
- 440802 Starter 5.5 kW 415V
- 4410 Turbo pump 5 kW 380/660V 50 Hz
- 4413 Tool holder
- 4420 Ball valve
- 4422 Microfilter
- 4426 Handle
- 4427 Plastic handle
- 4429 Hook
- 4430 Bracket
- 4431 Knob
- 4432 Pulse valve 3/cyclone req.

Part no Description

- 4437 Holder, pressure drop gauge
- 4460 Gasket
- 4462 Basket
- 4463 Container
- 4468 Cyclone
- 4470 Gasket
- 4481 Holder
- 4613 Strap
- 4614 Plastic sacks, standard
- 4652 Turbo pump 5.5 kW 415V
- 465401 Pipe 110
- 8043 Shutter Ø 76 mm
- 805501 Vacuum gauge
- 9539 Instruction, cyclone
- 9540 Maintenance instr.